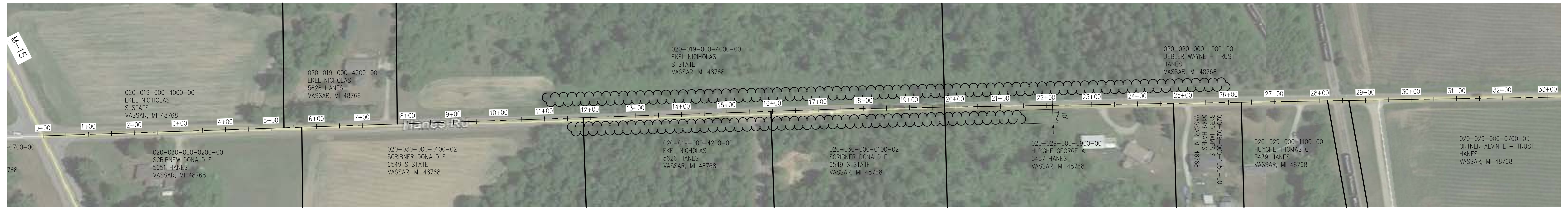
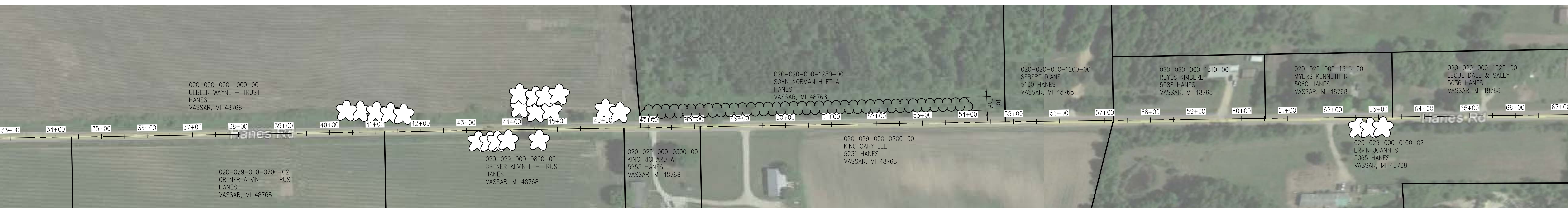


FROM POB STA 0+00 (M-15) TO STA 33+00							
	RIGHT	LEFT	TOTAL (Eo)		LENGTH	WIDTH	TOTAL (Acre)
Tree, Rem, 6 inch to 18 inch	0	0	0	Clearing - Left	1500'	10'	0.4
Tree, Rem, 19 inch to 36 inch	0	0	0	Clearing - Right	1000'	10'	0.3
Tree, Rem, 37 inch or Large	0	0	0	Slope Restoration, Modified	2778	Syd	



HANES ROAD
POB STA. 0+00 TO STA. 33+00



HANES ROAD
STA. 33+00 TO STA. 67+00

FROM STA 33+00 TO STA 67+00							
	RIGHT	LEFT	TOTAL (Eo)		LENGTH	WIDTH	TOTAL (Acre)
Tree, Rem, 6 inch to 18 inch	8	12	20	Clearing - Left	700'	10'	0.2
Tree, Rem, 19 inch to 36 inch	0	12	12	Clearing - Right	0	0	0
Tree, Rem, 37 inch or Large	0	0	0	Slope Restoration, Modified	1218	Syd	



HANES ROAD
STA. 67+00 TO STA. 101+00

FROM STA 67+00 TO STA 101+00							
	RIGHT	LEFT	TOTAL (Eo)		LENGTH	WIDTH	TOTAL (Acre)
Tree, Rem, 6 inch to 18 inch	0	0	0	Clearing - Left	800'	10'	0.2
Tree, Rem, 19 inch to 36 inch	0	0	0	Clearing - Right	700'	10'	0.2
Tree, Rem, 37 inch or Large	0	0	0	Slope Restoration, Modified	1667	Syd	

PRELIMINARY

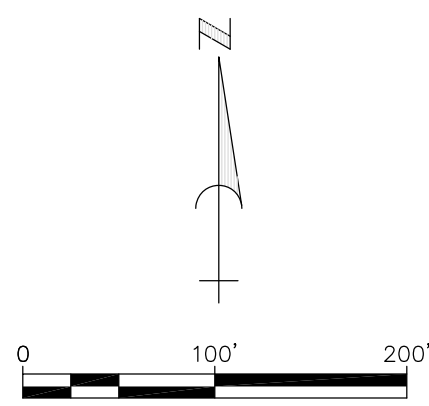
R. S. SCOTT ASSOCIATES, INC.
ENGINEERING • ARCHITECTURE • SURVEYING
405 RIVER STREET
ALPENA, MICHIGAN 49707
(989) 354-3178

TUSCOLA COUNTY ROAD COMMISSION
HANES ROAD
SEC. 19, 20, 21, 22, 27, 28, 29, 30
VASSAR TWP., T11N-R8E

SITE PLAN

BY:	DATE:	W.O. 79-453	SHEET NO. 1 OF
AAR	5/18		
CHK:	DATE:		
SJB	5/18		

4/30/2018 10:19 AM P:\uscol\79-435 Tree Removal\DWG\HANES.dwg



HANES ROAD
 STA. 101+00 TO POE STA. 121+44

FROM STA 101+00 TO POE STA 121+44 (CAINE RD)							
	RIGHT	LEFT	TOTAL (Ea)		LENGTH	WIDTH	TOTAL (Acre)
Tree, Rem, 6 inch to 18 inch	2	0	2	Clearing - Left	0	0	0
Tree, Rem, 19 inch to 36 inch	0	0	0	Clearing - Right	1500'	10'	0.4
Tree, Rem, 37 inch or Large	0	0	0	Slope Restoration, Modified	1707	Syd	

PRELIMINARY


R. S. SCOTT ASSOCIATES, INC.
 ENGINEERING • ARCHITECTURE • SURVEYING
 405 RIVER STREET
 ALPENA, MICHIGAN 49707
 (989) 354-3178

TUSCOLA COUNTY ROAD COMMISSION
 HANES ROAD
 SEC. 19, 20, 21, 22, 27, 28, 29, 30
 VASSAR TWP., T11N-R8E

SITE PLAN

BY:	DATE:	W.O. 79-453	SHEET NO.
AAR	5/18		2
CHK:	DATE:	OF	
SJB	5/18		

P:\uscol\79\79-435 Tree Removal\DWG\HANES.dwg
 4/30/2018 10:19 AM